



STEP BY STEP INSTALLATION METHOD

IMPORTANT: INSTALLATION ZONE AS TO BE CLEAR, CLEAN AND DELIMITED PROPERLY FOR SECURITY OF WORKERS AND CUSTOMERS.

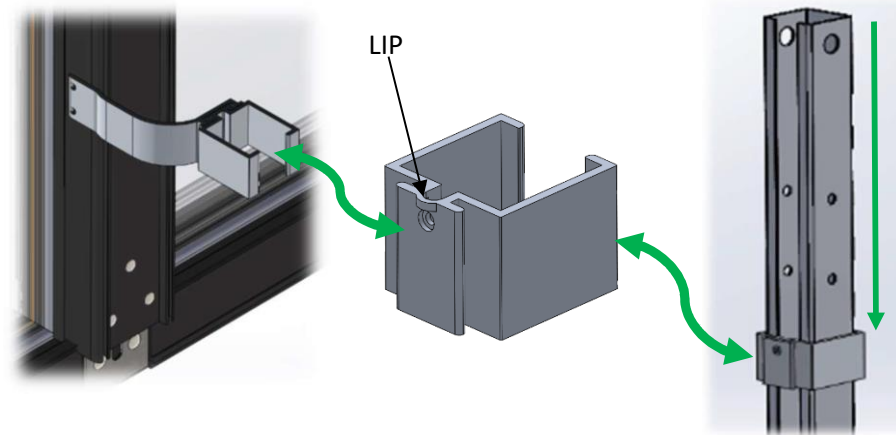
TOOLS & STAFF REQUIRED:

- LEVEL (24in long MAX.)
- 1/4" WRENCH (FOR LEVELING ADJUSTMENT)
- 2 x HANDIES

STEP 1 – POST CLIP & POST CONNEXION

START AT ONE END, THE FIRST EDGE OF THE FIRST DOOR.

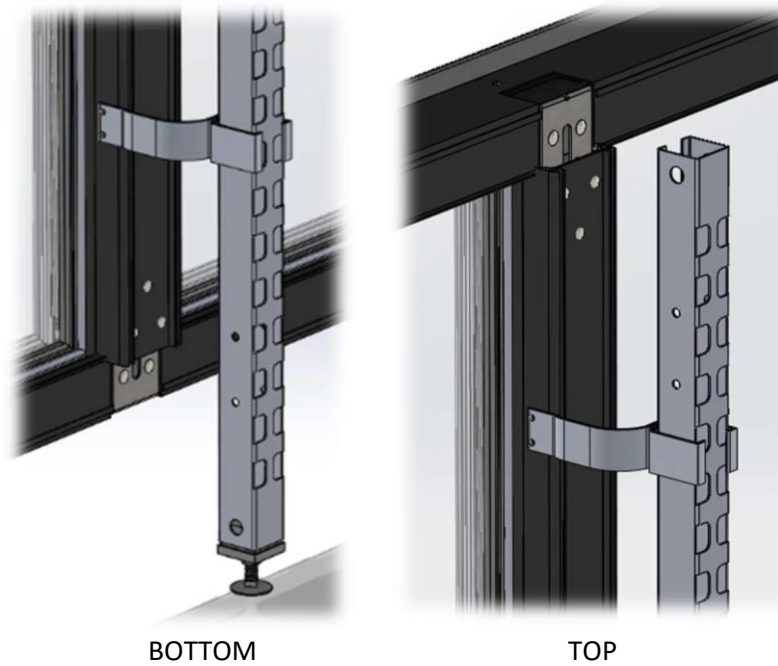
SLIDE 2x POST CLIPS ON THE POST (TOP & BOTTOM). THE HOLE AND THE LIP ARE ON TOP.



STEPS 1 & 2 WILL BE REPEATED ON EACH PAIR OF FRAME BRACKETS (TOP & BOTTOM)

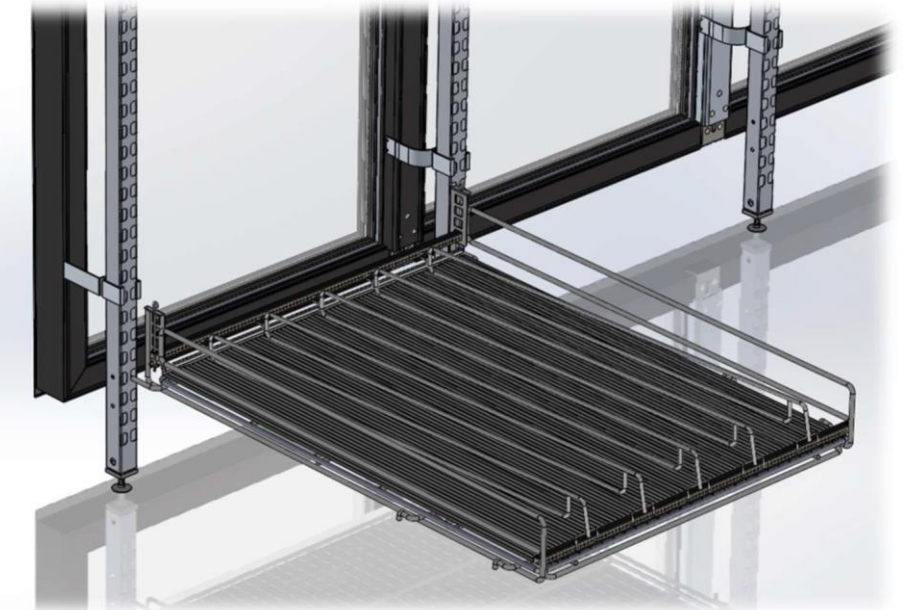
STEP 2 – CONNECT TO FRAME BRACKETS

SLIDE DOWN THE POST CLIP IN THE DOOR BRACKET



STEP 3 - FIRST SHELF INSTALLATION (FRONT)

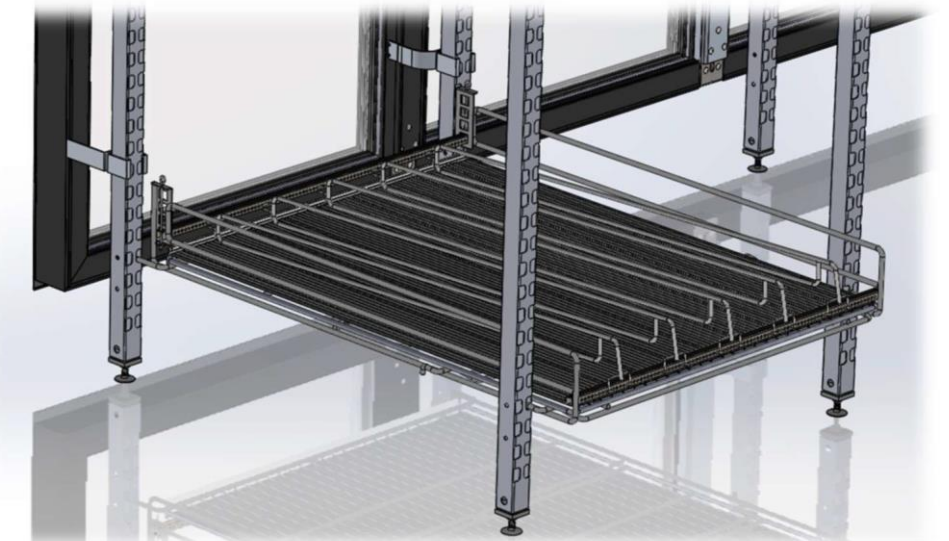
INSTALL THE FIRST SHELF BETWEEN THE TWO FRONT POSTS AT THE PROPER BOTTOM POSITION. USE YOUR LEVEL & WRENCH TO LEVEL THE FRONT LINE OF POSTS. VALIDATE THE LEVELING BY REFERING TO BOTTOM EDGE OF THE DOOR.



STEP 4 – REAR POSTS INSTALLATION

USE THE SHELF FOR REAR POSTS POSITIONNING: LIFT THE REAR OF THE SHELF UP TO THE DESIRED SLOPE AND INSERT THE REAR PINS OF THE SHELF IN THE CORRESPONDING POSITION ON REAR POST.

FOR MORE STABILITY, PLACE A SECOND SHELF BETWEEN THE SAME POSTS



REPEAT STEPS 3 & 4 FOR WHOLE INSTALLATION

STEP 5 – LEVELING

USE YOUR LEVEL AND WRENCH TO ADJUST THE LEVELING FOOT ON THE REAR LINE OF POSTS.