

Standard Packages

Unit Width	Slide Opening	Breakout Opening	Slide Panel Width	Sidelite Width	Rough Opening Width
8'-0" (2438)	3'-0" (914)	3'-7" (1092)	2'-0" (610)	2'-0 1/2" (622)	8'-0 1/2" (2146)
9'-0" (2743)	3'-6" (1067)	4'-1" (1245)	2'-3" (686)	2'-3 1/2" (699)	9'-0 1/2" (2756)
10'-0" (3048)	4'-0" (1219)	4'-7" (1397)	2'-6" (762)	2'-6 3/4" (781)	10'-0 1/2" (3061)
12'-0" (3658)	5'-0" (1524)	5'-7" (1702)	3'-0" (914)	3'-0 3/4" (933)	12'-0 1/2" (3670)
14'-0" (4267)	6'-0" (1829)	6'-7" (2007)	3'-6" (1067)	3'-6 3/4" (1086)	14'-0 1/2" (4280)
16'-0" (4877)	7'-0" (2134)	7'-7" (2311)	4'-0" (1219)	4'-0 3/4" (1238)	16'-0 1/2" (4890)

Unit Height: 7'-6" (2286)	Rough Opening Height: 7'-6 1/4" (2292)	Anodized Finish: Clear or Dark Bronze
Glazing: Standard unit prep'd for 1/4" (6) glass. Glass by others.		
Threshold: 1/2" (13) tall x 4" (102) wide (See page A5.3).		

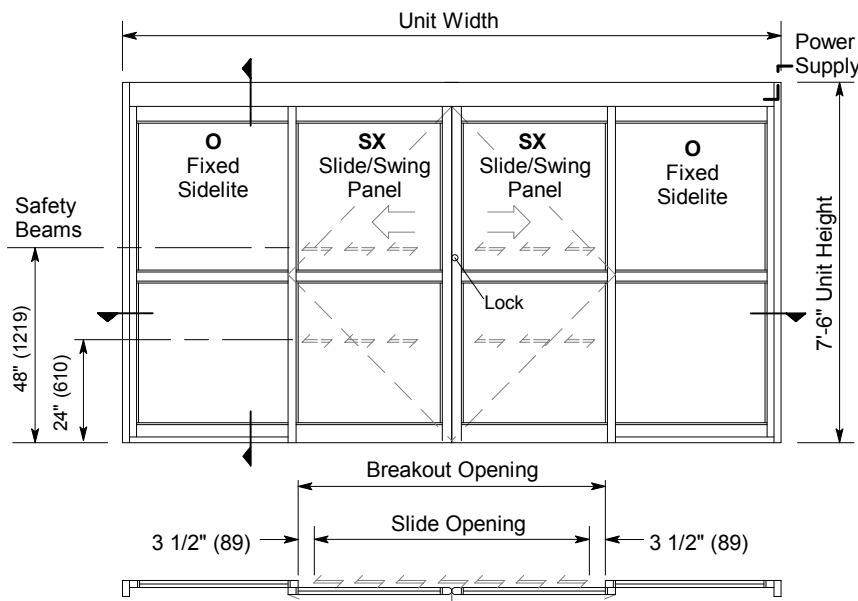
Options

- Custom unit widths between 8'-0" & 16'-0".
- Custom unit height to 8'-6".
- Custom mid-rails, bottom rails and jambs.
- Transom, additional or extra wide sidelite.
- Medium or wide stile construction (slide opening will be reduced).
- Custom anodized or paint finish or stainless steel cladding

See details for options starting on p. A5.0 and Architectural Specifications on p. A7.0.

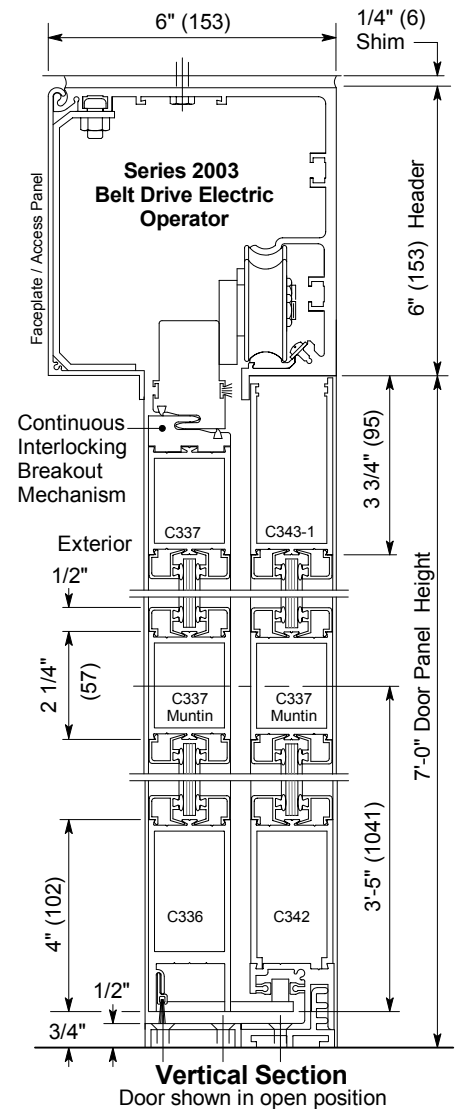
Installation and Operation

- Door perimeter mounted within rough opening with 1/4" minimum shim space at header & jambs. Finish floor not to exceed 1/4" out of level. (See page A.3)
- Electrical: Provide 120 VAC, 60 cycle, single phase, 15 amp service (in conduit) to each unit on dedicated 20 amp circuit breaker routed to header. Maximum current draw is 3.15 amps.
- Door actuated with header mounted motion sensor at interior and exterior for detection of traffic in each direction. Door closes after time delay expires. (See page A.4)
- Manual Locking: Exterior keylock and interior thumbturn provided at vertical strike rail. (Optional fail-safe or fail-secure autolock)

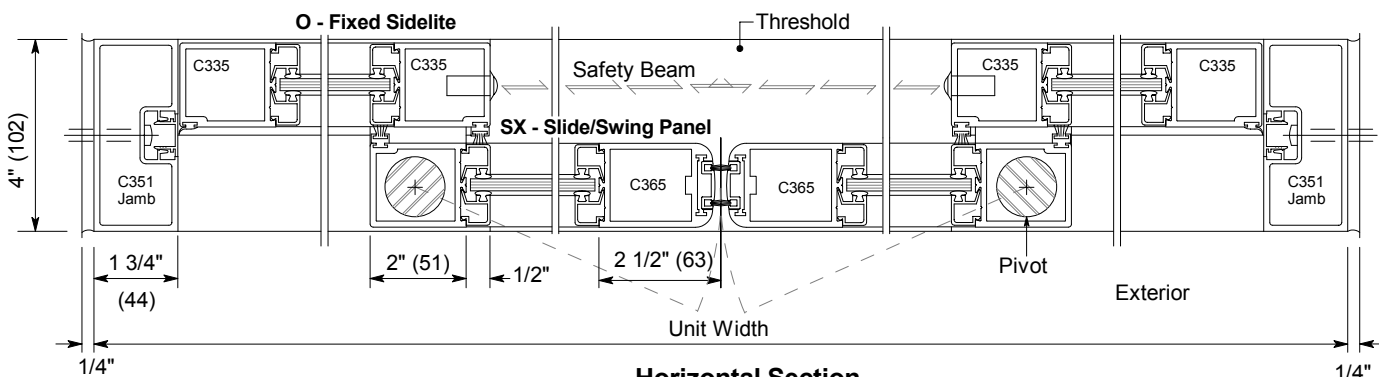


SX panels can breakout 90° from any position of slide movement with max. 50 lbf. of force at lock stile.

Exterior Elevation and Floor Plan



Vertical Section
Door shown in open position



Horizontal Section