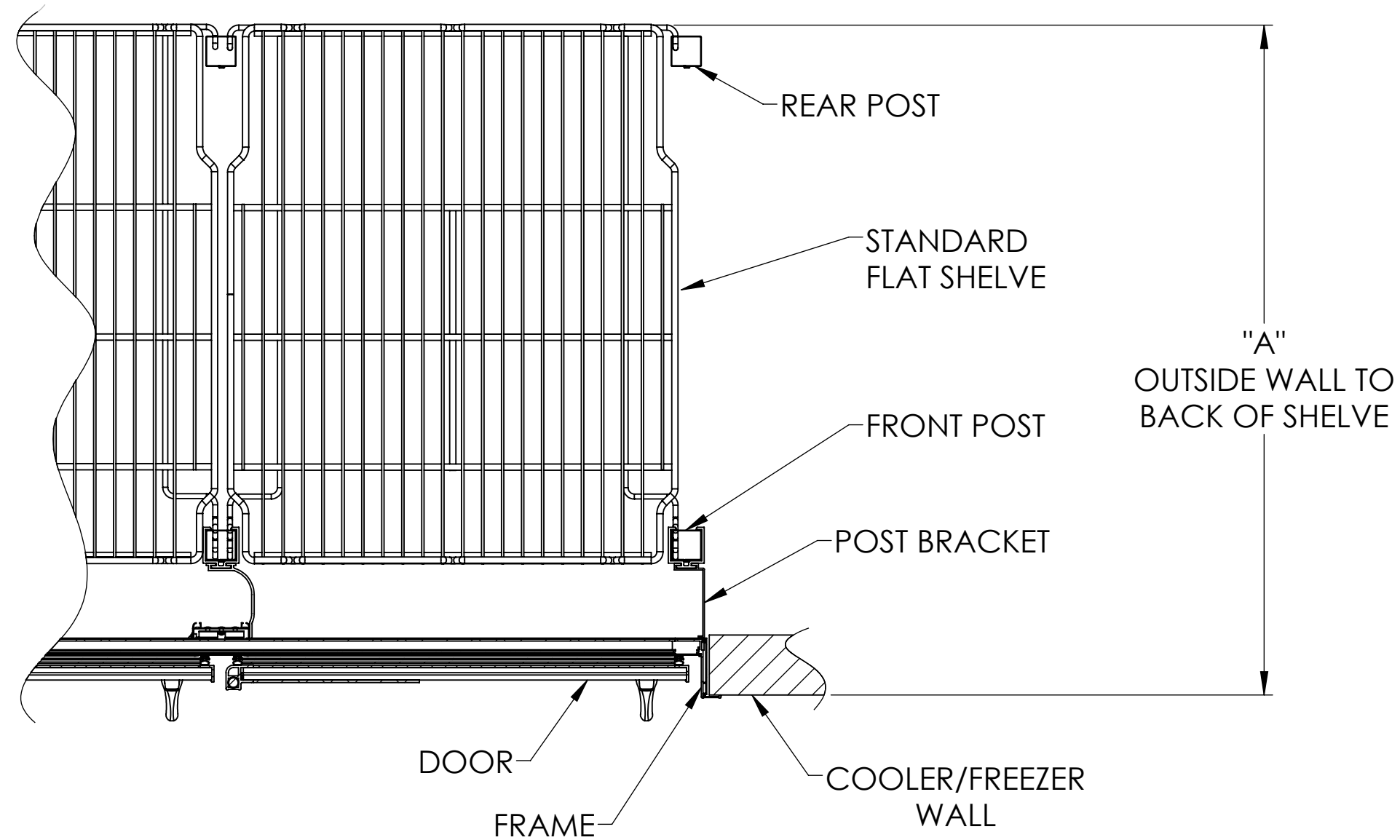


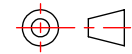
SHELVE DEPTH "A"	
24	30.875
27	33.875
30	36.875
36	42.875
43	49.875



NOTES:
1-



THE INFORMATION CONTAINED IN THIS DRAWING IS THE SOLE PROPERTY OF ENERGY DOOR COMPANY. ANY REPRODUCTION IN PART OR AS A WHOLE WITHOUT THE WRITTEN PERMISSION OF ENERGY DOOR COMPANY IS PROHIBITED.

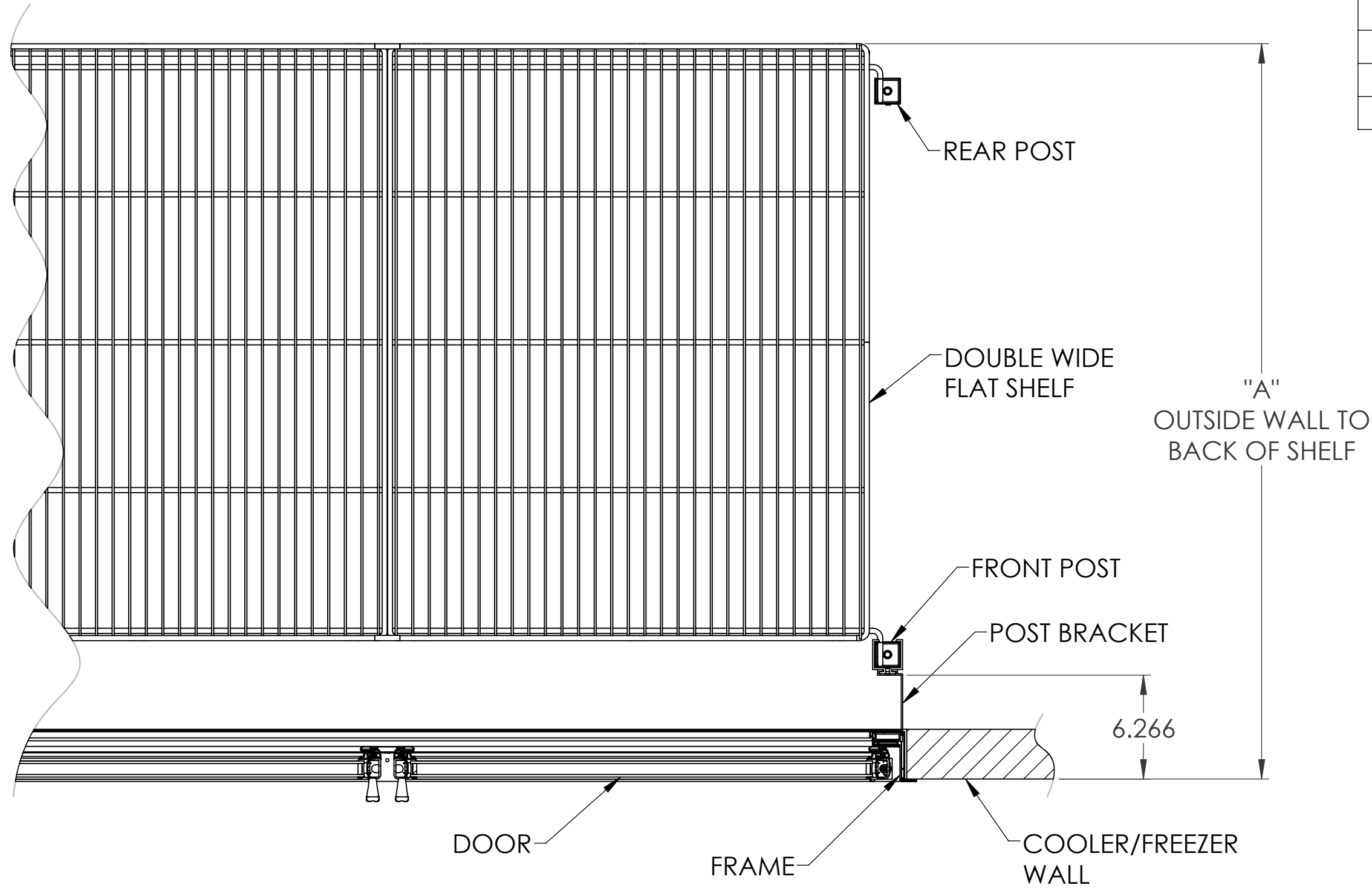
UNLESS OTHERWISE SPECIFIED, DIMENSIONS ARE IN INCHES
TOLERANCES:
 FRACTIONAL: $\pm 1/32$
 ANGULAR: $\pm 1^\circ$
 .XX $\pm .03$
 .XXX $\pm .015$
 DRAWING STD AINSI Y14.5

 THIRD ANGLE PROJECTION

DRAWN BY	D.V.	DATE	09-12-18
CHECKED BY	F.MARCOUX	DATE	09-12-18
APPROVED BY		DATE	
FINISH			
MATERIAL			

DESCRIPTION		SETBACK CHART FOR SINGLE WIDE SHELVES	
DWG. NO.	XXXXXXX	REVISION	
SIZE	B	WEIGHT	Lbs
SHEET	1 OF 1		

REV.	DESCRIPTION	BY	APP	DATE
A	FIRST RELEASE	DV	FM	2018-09-12

SHELF DEPTH "A"	
24	32.375
27	35.375
30	38.375
36	44.375
43	51.375




THE INFORMATION CONTAINED IN THIS DRAWING IS THE SOLE PROPERTY OF ENERGY DOOR COMPANY. ANY REPRODUCTION IN PART OR AS A WHOLE WITHOUT THE WRITTEN PERMISSION OF ENERGY DOOR COMPANY IS PROHIBITED.

UNLESS OTHERWISE SPECIFIED, DIMENSIONS ARE IN INCHES TOLERANCES: FRACTIONAL: ± 1/32 ANGULAR: ± 1° .XX ± .03 .XXX ± .015	DRAWN BY B. MAYER	DATE 2021-02-18
	CHECKED BY T. DYE	DATE 2021-02-18
	APPROVED BY	DATE
DRAWING STD AINSI Y14.5	FINISH	
THIRD ANGLE PROJECTION	MATERIAL	

DESCRIPTION SETBACK CHART - DOUBLE WIDE SHELVES	
DWG. NO. XXXXXXX	REVISION A
SIZE B	WEIGHT SHEET 1 OF 1

REV.	DESCRIPTION	BY	APP	DATE
A	FIRST RELEASE	BM	TD	2021-02-18